



Vi-POSIF-S
Epson TM T88
(serial interface)

Installing the Epson printer interface

Before installing the printer interface, review the site survey and identify the registers that will be monitored, then refer to the printer interface installation diagram on this page before following the instructions.

Epson TM T88 serial INTERFACE

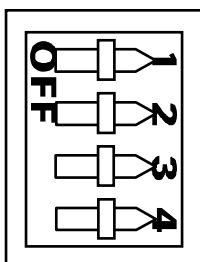
Install Kit

Item	Part Number	Description	Quantity
1	IF-0829-063	Epson TM T88 Interface	1
2	500114	Interposer cable	1
	or 500227		
	or 500260		
3	580003	Ferrite Sleeve	2
4	IDB-1556-01	INSTALL MANUAL	1

SW1 settings		
software (SW-2393-01) rev D0		
switch(es)	state	function
1	ON	<i>raw data</i>
2	ON	<i>test mode</i>
3 4		output baud rate
ON ON		9600, N, 8, 1
ON OFF		4800, N, 8, 1
OFF ON		2400, N, 8, 1
OFF OFF		1200, N, 8, 1
Default: switches 1 and 2 OFF		
switches 3 and 4 ON		

set Vi-POSCON input baud rate to match

Even if a SW2 default is indicated, the printer could be configured differently than shown. In this case, SW2 settings may need to be determined experimentally.



Switch Settings

SW2 settings				
input baud rate	3	2	1	baud rate
	ON	ON	ON	300
	ON	ON	OFF	600
	ON	OFF	ON	1200
	ON	OFF	OFF	2400
	OFF	ON	ON	4800
	OFF	ON	OFF	9600
	OFF	OFF	ON	19200
	OFF	OFF	OFF	38400
input data bits		5	4	data bits
		ON	ON	5
		ON	OFF	6
		OFF	ON	7
		OFF	OFF	8
input parity		7	6	parity
		ON	ON	none
		ON	OFF	even
		OFF	ON	odd
		OFF	OFF	none
switch 8			8	function
			X	unused

default settings shown in bold

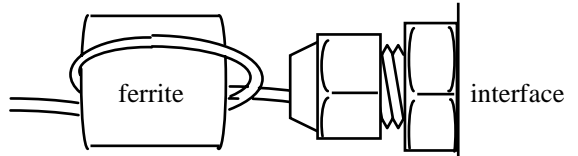
Installing the Epson printer interface



Interface Connection Details

Failure to install the ferrite sleeves on the power and data cables as shown, will compromise the EMC performance of this unit, relevant to the EMC directive 89/336/EEC.

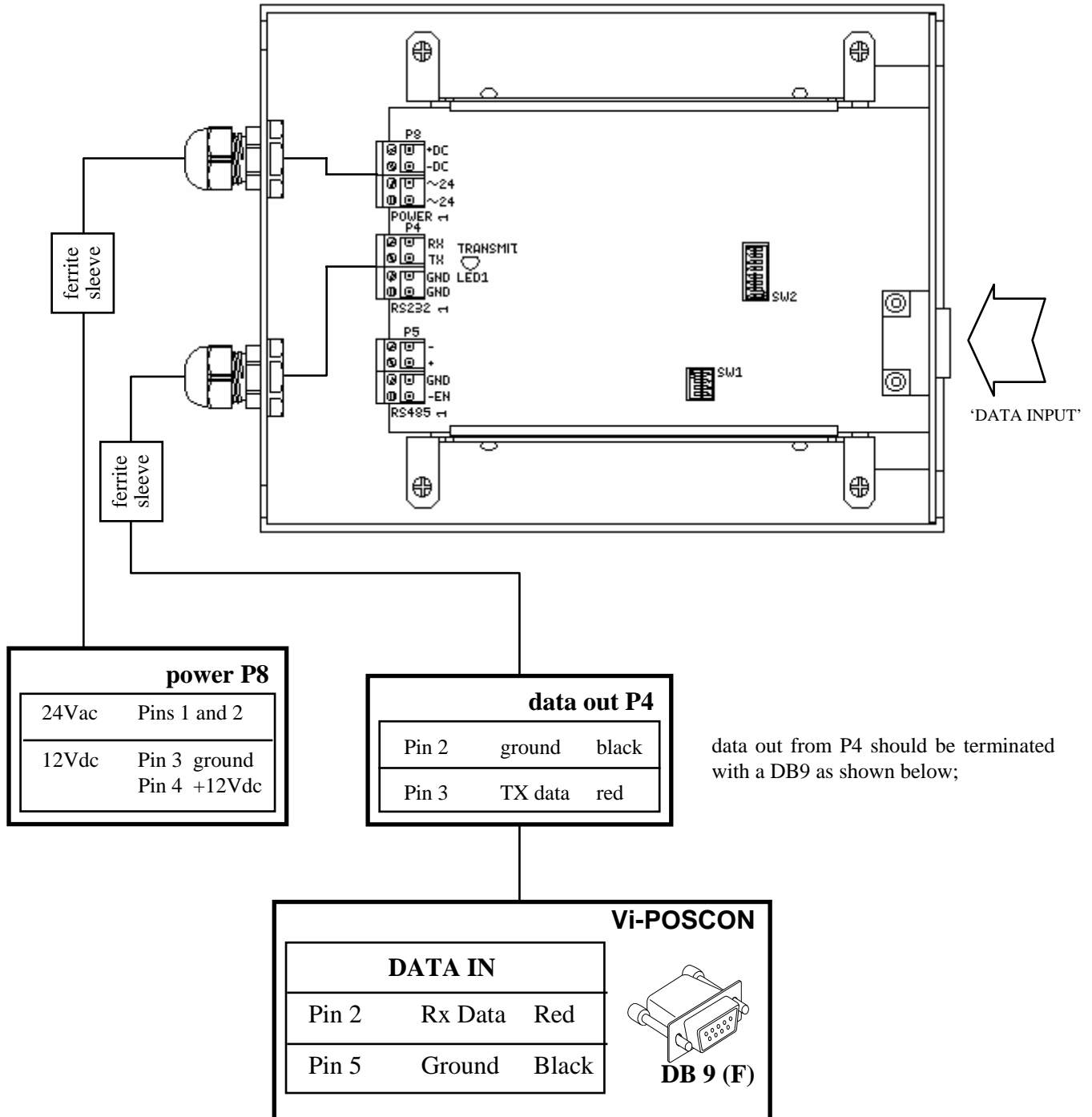
cable gland on rear of interface



route data / power cables through their respective ferrites and loop through once again.

***IMPORTANT:** cable must be looped through ferrite sleeve.

check power supply first !
24 VAC or 12 VDC ?

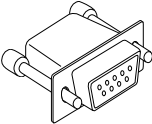


power P8	
24Vac	Pins 1 and 2
12Vdc	Pin 3 ground Pin 4 +12Vdc

data out P4		
Pin 2	ground	black
Pin 3	TX data	red

data out from P4 should be terminated with a DB9 as shown below;

DATA IN		
Pin 2	Rx Data	Red
Pin 5	Ground	Black



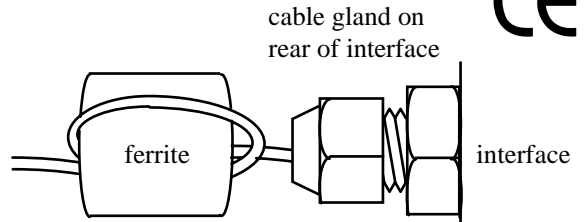
DB 9 (F)

Installing the Epson printer interface



Interface Connection Details – RS485

Failure to install the ferrite sleeves on the power and data cables as shown, will compromise the EMC performance of this unit, relevant to the EMC directive 89/336/EEC.

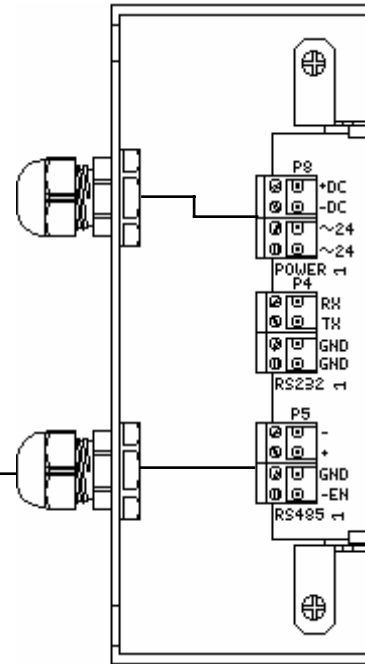


route data cable through the respective ferrite and loop through once again.

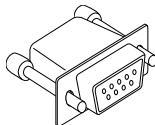
***IMPORTANT:** cable must be looped through ferrite sleeve.

RS485 data out P5		
Pin 4	-	Black
Pin 3	+	Red
Pin 2	ground	White
Pin 1	-EN	LINK

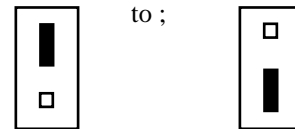
ferrite sleeve




data out from P5 should be terminated with a DB9 (Vi-POSCON)

DATA IN			 DB 9 (F)
Pin 4	RX+	Red	
Pin 9	RX-	Black	
Pin 5	ground	White	

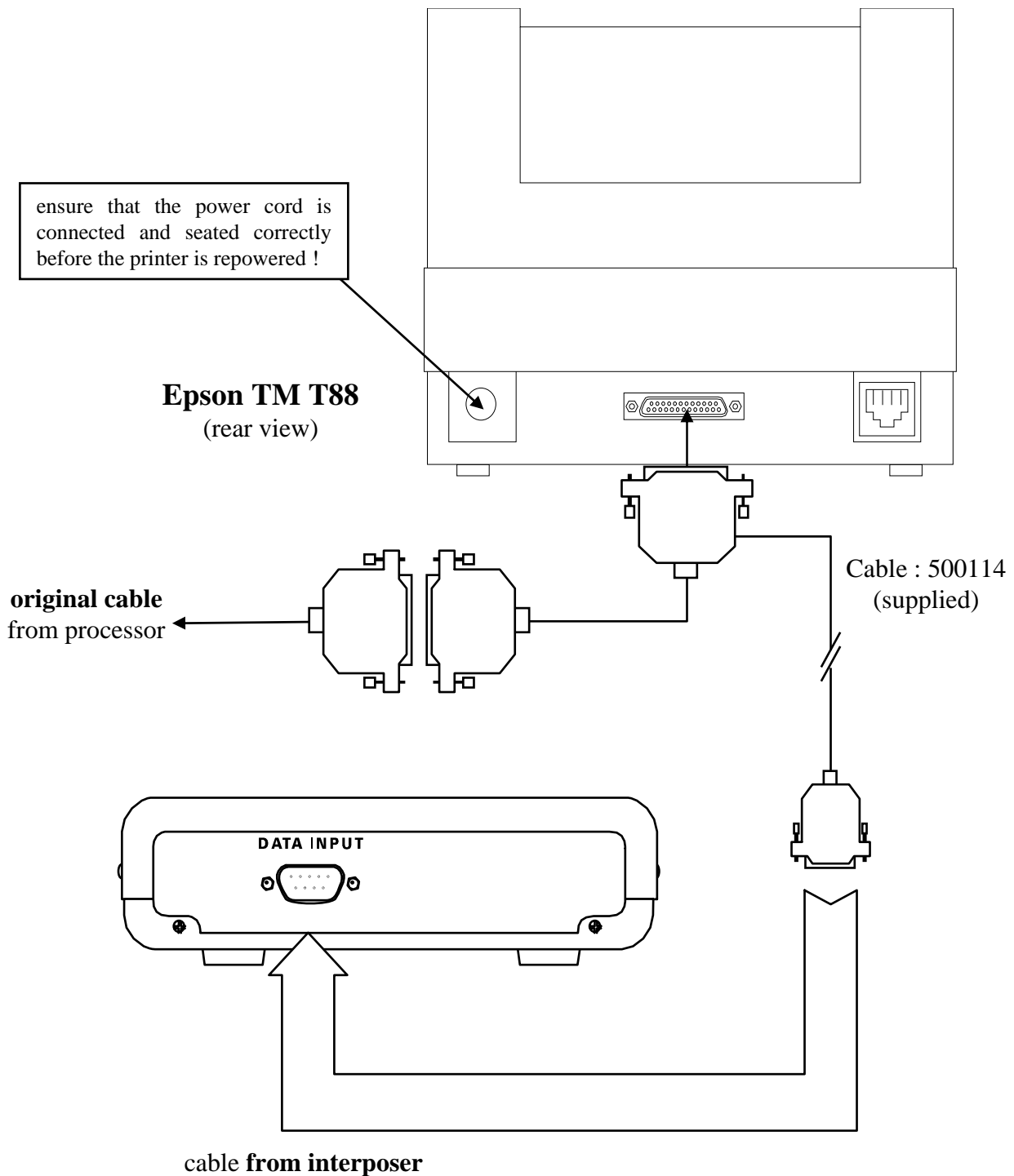
On Vi-POSCON pcb, enable the relevant RS485 input by moving the corresponding jumper (P9 - P12) per input channel (1-4) i.e. from ;



N.B.  towards front of Vi-POSCON unit.

Installing the Epson printer interface

Interface Connection Details (printer end)

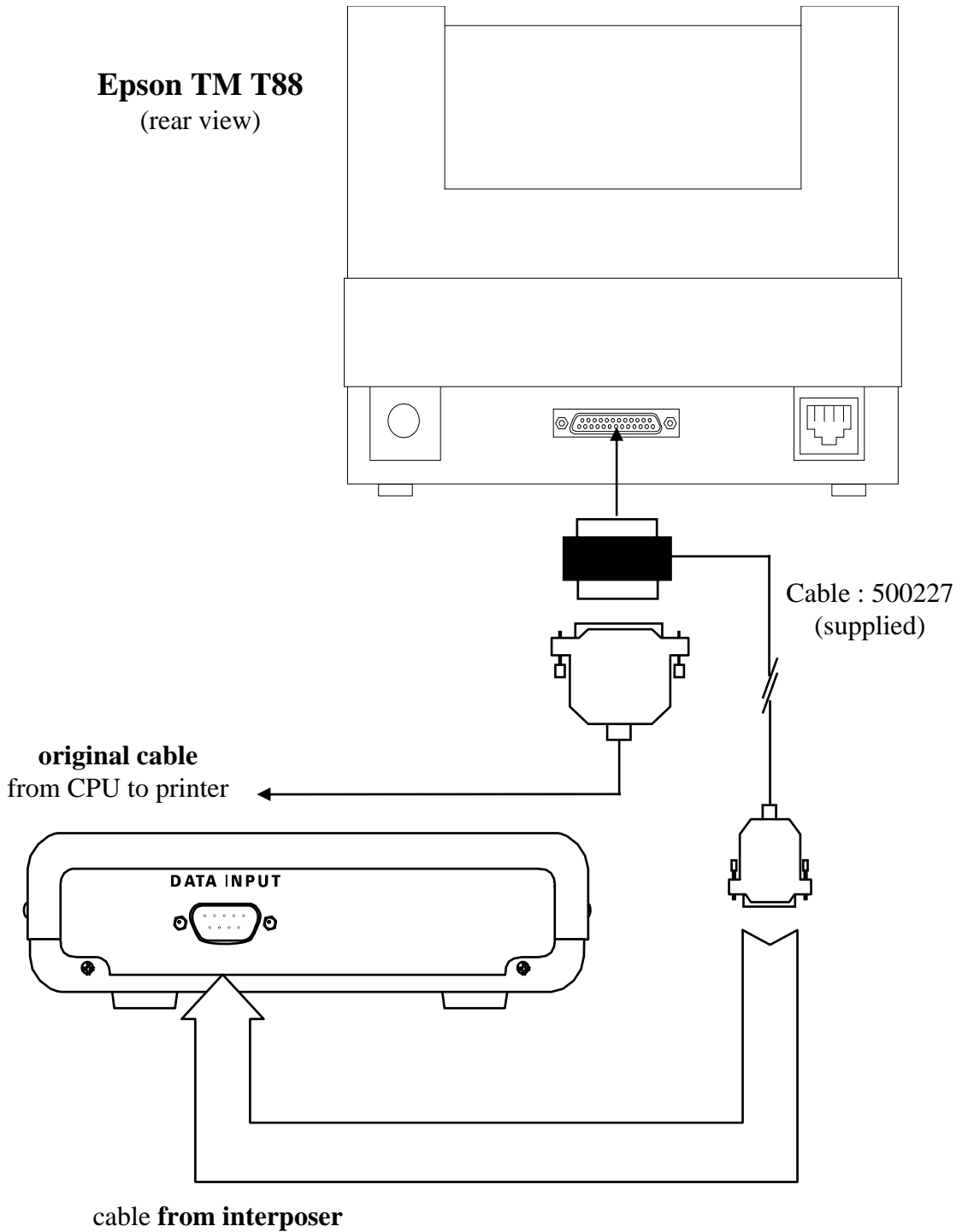


All logos and names used within this document are properties of their respective companies and are used here for identification purposes. The afore-mentioned items may also be copyright, trademarks or registered trademarks of their respective companies and no infringement of those rights is intended.

Installing the Epson printer interface

Interface Connection Details (printer end)

Epson TM T88 (rear view)



All logos and names used within this document are properties of their respective companies and are used here for identification purposes. The afore-mentioned items may also be copyright, trademarks or registered trademarks of their respective companies and no infringement of those rights is intended.

Installing the Epson printer interface

1. Check advice note.

Check engineering advice note in case the system is to be installed without prior knowledge of store personnel. Only contact the nominated manager / supervisor in such a situation.

Ensure that the store (check-out supervisor or nominated person) have taken readings from the register before it is powered down.

2. Identify the EPSON TM-T88 printer.

The EPSON TM-T88 is a modular printer and as such has no fixed position. It is therefore important to identify both the printer and a suitable location for mounting the printer interface.

3. Install the Interposer Cable.

WARNING! - RISK OF ELECTRIC SHOCK.

Ensure power to the printer and terminal is off and the power cord(s) disconnected before connecting the interface.

Remove the printer-to-CPU cable from the RS-232C port at the rear of the printer. Connect the interposer cable supplied with the interface to this port. Re-connect the printer-to-CPU cable into interposer cable.

Ensure that the locking hardware is secure.

4. Installing the printer interface data cable.

The interface data cable runs from the interposer cable and should be routed along the most direct route available to the printer interface.

5. Check printer operation.

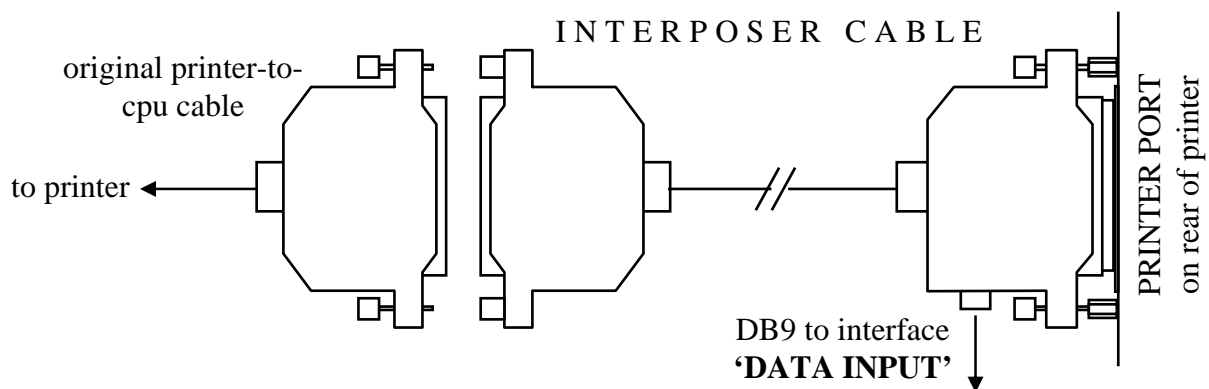
Before supplying power to the interface connect the power cord(s) back to the printer and terminal and ensure that power is restored. Check the printer and terminal for normal operation (It may be necessary to contact nominated store personnel to do this).

6. Power the interface.

As the interface only passively monitors the data line and the units are opto-isolated there should be no degradation in printer operation once the interface is powered.

If possible, check that valid text is appearing on Laptop/PC and/or Vi-POSCON screen(s).

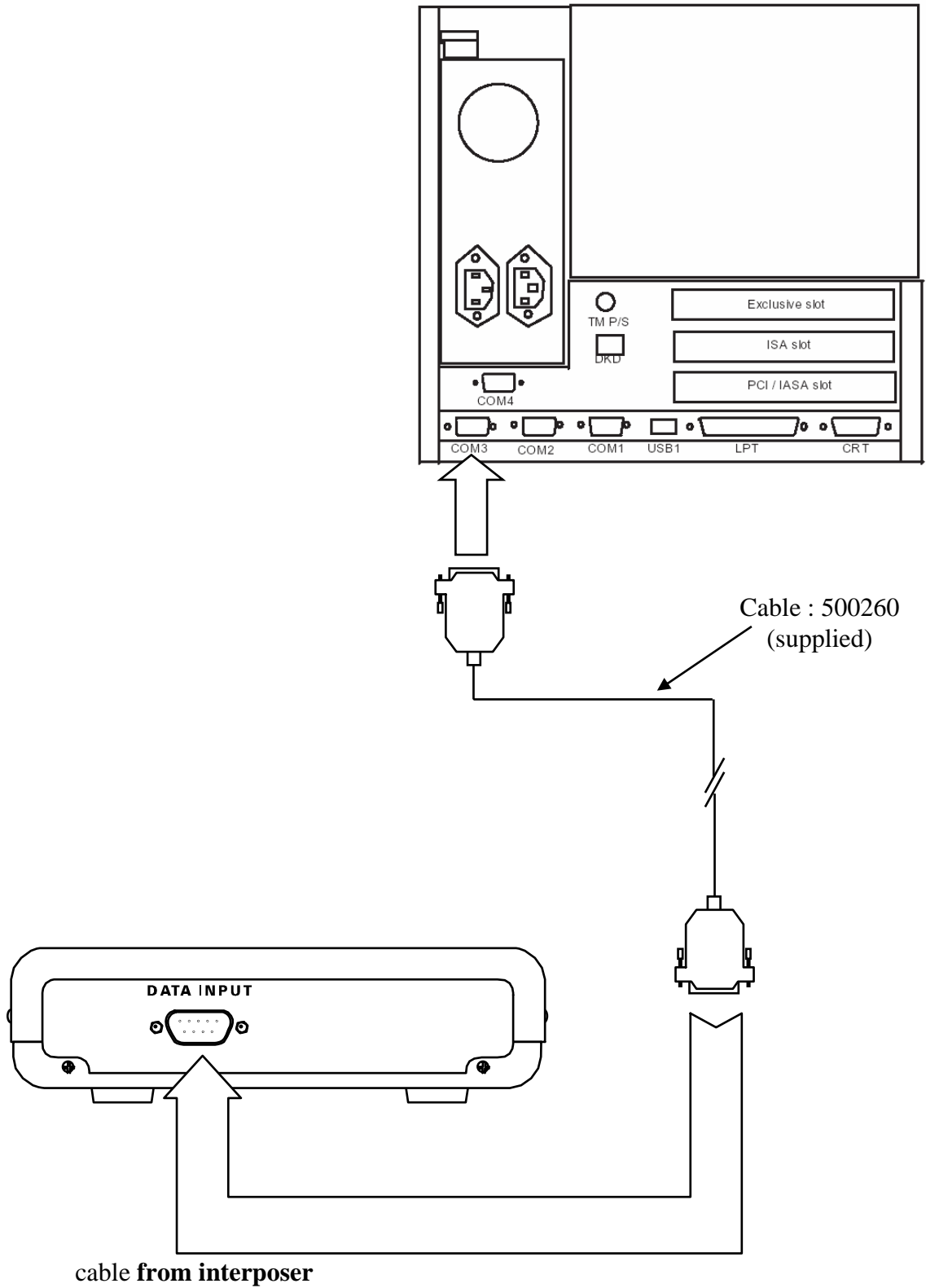
If the printer displays abnormal operation, check that all connectors are seated properly. If this does not resolve the problem, return the register to its initial state by removing the interface and contact your FTSS.



Installing the Epson printer interface

Interface Connection Details

Epson IM-300 (rear view with cover removed)



All logos and names used within this document are properties of their respective companies and are used here for identification purposes. The afore-mentioned items may also be copyright, trademarks or registered trademarks of their respective companies and no infringement of those rights is intended.

Installing the Epson printer interface

1. Check advice note.

Check engineering advice note in case the system is to be installed without prior knowledge of store personnel. Only contact the nominated manager / supervisor in such a situation.

Ensure that the store (check-out supervisor or nominated person) have taken readings from the register before it is powered down.

2. Identify the EPSON IM-300 terminal.

The EPSON IM-300 has an integrated Epson TM-T88iiR Serial printer. It is therefore important to identify both the EPOS terminal and a suitable location for mounting the printer interface.

3. Install the Interface Cable.

WARNING! - RISK OF ELECTRIC SHOCK.

Loosen the screw securing the rear cover of the terminal. Remove the rear cover by pulling the upper part of the rear cover backward then downward.

Identify the COM3 port at the rear of the printer (refer to SHEET 8-9). Connect one 9 way 'D' socket end of the interface cable supplied (500260) to this port. The other 9 way 'D' socket end of this cable should be routed along the most direct route available to the interface.

Ensure that the locking hardware is secure.

Replace the rear cover and fasten the securing screw.

4. Check terminal operation.

Before supplying power to the interface connect the power cord back to the terminal and ensure that power is restored. Check the terminal for normal operation (It may be necessary to contact nominated store personnel to do this).

5. Power the interface.

As the interface only passively monitors the data line and the units are opto-isolated there should be no degradation in printer operation once the interface is powered.

If possible, check that valid text is appearing on Laptop/PC and/or Vi-POSCON screen(s).

If the terminal displays abnormal operation, check that all connectors are seated properly. If this does not resolve the problem, return the register to its initial state by removing the interface and contact your FTSS.