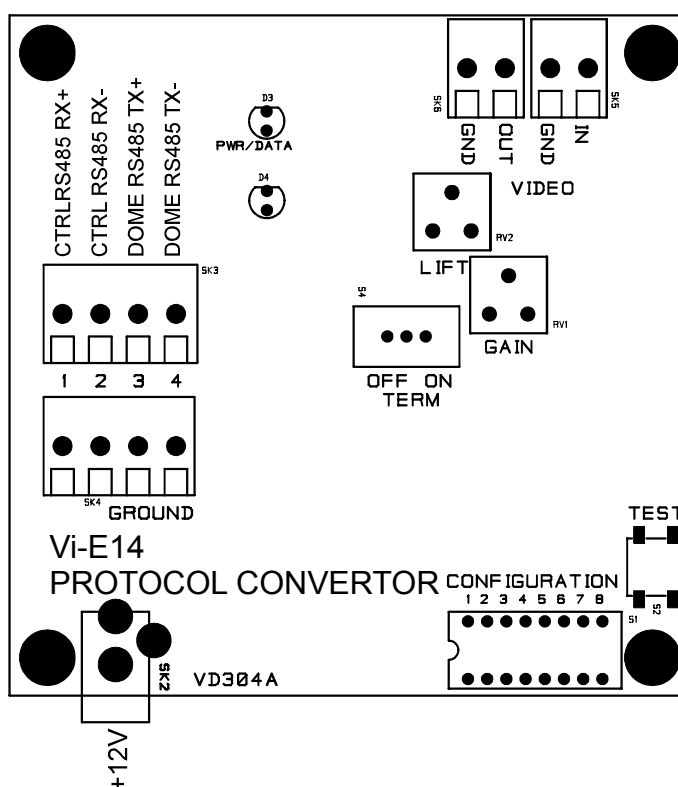


1. The Vi-E14 Protocol converter accepts a number of input protocols, including BBV up-the-coax
2. A number of output protocols are supported
3. See the TERM switch ON unless within a daisy chain (i.e OFF if within daisy chain and *not* last one)
4. Set switches 1,2,3 to specify input protocol and baud rate (to match DVR or keyboard controller)
5. Set switches 4,5,6 to specify output protocol and baud rate (to match dome).
6. Connect converter's VIDEO IN to dome camera
7. Connect converter's VIDEO OUT to DVR or display
8. Turn GAIN and LIFT pots fully clockwise for minimum gain (i.e. short cable)
9. Connect DVR or keyboard controller to converter's RS485 RX+ and RX- (unless using up-the-coax control)
10. Connect dome camera's RS485 RX+ and RX- input to converter's RS485 TX+ and TX- output
11. Power up and wait 30s while coax receiver auto-tunes. Power light flashes quickly while tuning.
12. Press TEST switch to check that dome goes through pan-tilt-zoom sequence. Power light flashes slowly while test is in progress. Press again to cancel, or wait.
13. Protocol converter should now be functioning



Configuration switch settings

Select input protocol

	BBV	PelcoD 2400	PELCO _D 9600	LILIN1	LILIN2	MERCER
SW-1	OFF	ON	OFF	ON	OFF	ON
SW-2	OFF	OFF	ON	ON	OFF	OFF
SW-3	OFF	OFF	OFF	OFF	ON	ON

Select output Protocol

	CMOR5 2400	CMOR5 9600	PELCO _D 2400	PELCO _D 9600
SW-4	OFF	ON	OFF	ON
SW-5	OFF	OFF	ON	ON

Spare

SW-6	OFF
SW-7	OFF
SW-8	OFF